

Customer :



# Optical Adaptor

**Single / Multi mode**  
**SC Duplex SM / MM**

TECHNICAL SPECIFICATIONS

*Luxtech co., ltd.*

E-mail : [luxtech@luxtech.co.kr](mailto:luxtech@luxtech.co.kr)  
Http://[www.luxtech.co.kr](http://www.luxtech.co.kr)

# TABLE OF CONTENTS

<b>Section</b>	<b>Page</b>
1. Provision	
1.1 Application Limit	3
2. General Specifications	
2.1. Parts and Materials	3
2.2. Physical Dimensions	4
2.3. General Tolerance	5
2.4. Measuring Insertion Loss	5
3. Storage & Precautions	
3.1. Conditions of Storage	6
3.2. Precautions	6

## 1. PROVISION

### 1.1 Application Limit

These specifications apply to the Luxtech SC Duplex Adaptor supplied by **LUXTECH CO.,LTD.**

## 2. General Specifications

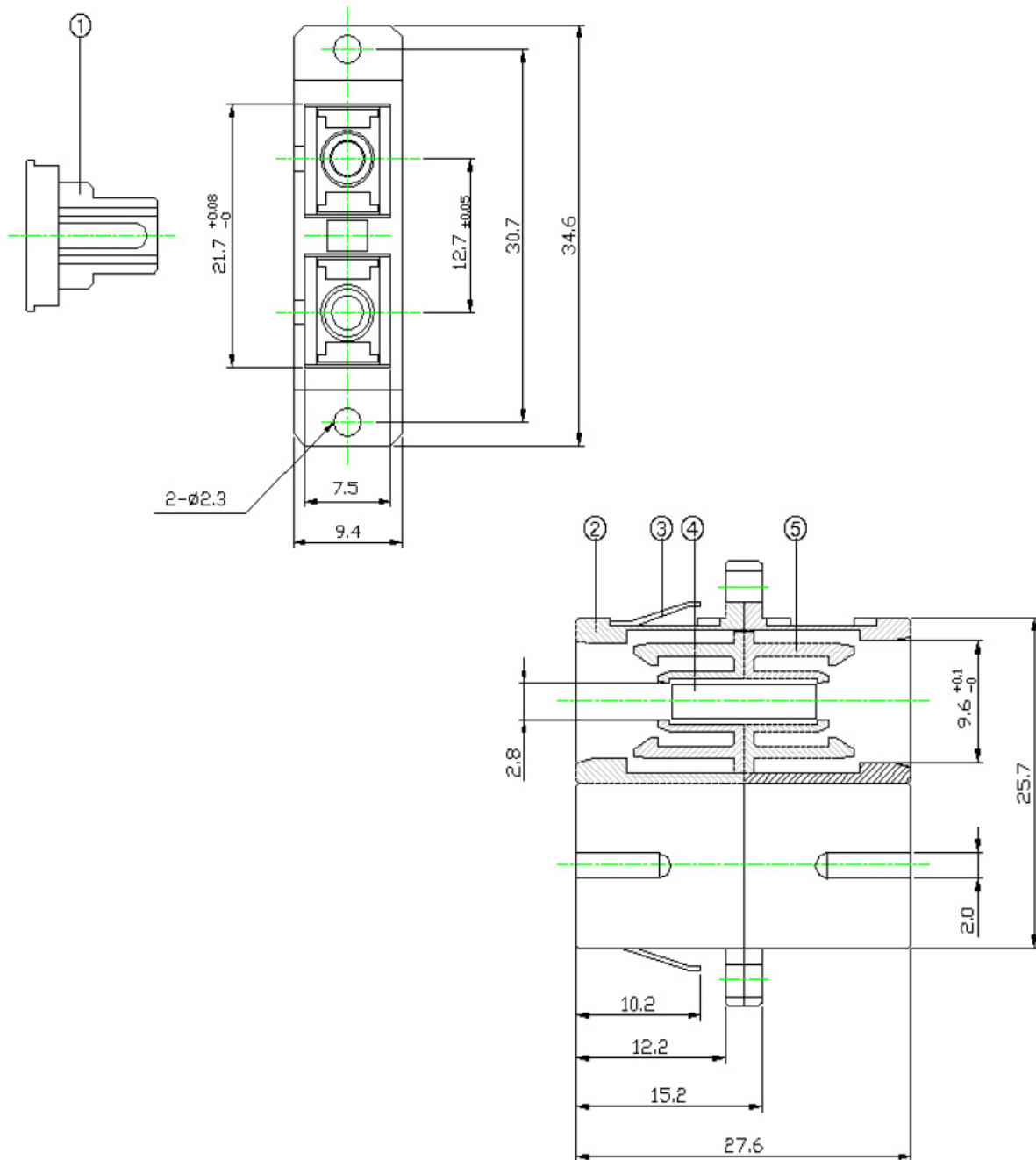
### 2.1. Parts and Materials

Parts and materials are shown in Table 1

Table 1 Parts and Materials				
No.	Part Name	Qty	Material	Notes
①	Cap	4	PE	Blue, Clear White, Beige
②	Adaptor Housing	1	PBT GF	Blue, Green, Beige
③	Plate	1	Stainless Steel	
④	Slit Sleeve	2	Phosphor Bronze	MM
			Zirconia Ceramics	SM
⑤	Sleeve Holder	2	PEI GF	Blue

## 2.2. Physical Dimensions

- In accordance with IEC 61754-4 Type SC connector family.
- In accordance with JIS C 5973 F04 Type connectors.



### 2.3. General Tolerances

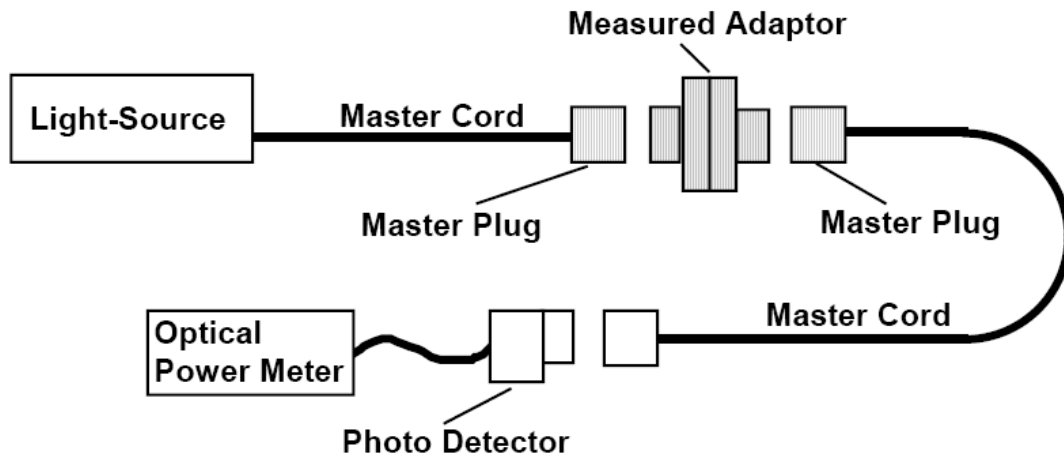
Permissible deviation in B1B38 dimensions without tolerance indication is in accordance with ISO2768-m (JIS B 0405-m), as shown in Table 3

Table 3 General Tolerance (ISO 2768-m)		
Basic size step [mm]		Permissible deviation [mm]
Over	Under	
0.5	3	±0.1
3	6	±0.1
6	30	±0.2
30	120	±0.3

### 2.4. Measuring Insertion Loss

Insertion loss of the adaptor and measurement conditions are shown in Table 4.

Figure 1 shows the measurement system.



Insertion Loss		0.2 dB or less
Conditions	Light Source	LD / LED
	Wavelength	1310nm / 850nm
	Fiber	SM / MM
	Master cord	UPC

### 3. Storage & Precautions

#### 3.1. Conditions of Storage

Keep the product, in the packing bag, at the following conditions for its storage.

- Storage temperature: -40 to +85 degrees C
- Storage humidity: 0 to 85%RH, non-condensing

#### 3.2. Precautions

Contamination, oil, sweat and other debris on the inside of the slit sleeve may influence the performance of the product. If contamination is on the inside of the slit sleeve, clean the inside before connecting.